

MS-130

MODULAR 1 TO 2 COLOR PAD PRINTING WORKSTATION



Shown with optional floor stand

- Fully automatic tape pad cleaning device (optional)
- Fully automatic ink viscosity control (optional)
- Fast cliché change-over without tools
- Touch screen controls with job memory storage
- Quick change magnetic ink cups with X/Y positioning
- Swiss built with world class components



solutions in pad printing™

MS-130

MODULAR 1 TO 2 COLOR PAD PRINTING WORKSTATION

The **MS-130** pad printing machine is perfectly suited as a stand-alone single color pad printing press, but can also be outfitted as a 2 color pad printer by simply adding an additional pad X/Y block and a 2 position shuttle device (moving either the pad or the part). The **MS-130** is compact, fast and is ideally suited for pad printing on medical devices, automotive components, advertising specialty items & other injection molded parts. All **microPrint** machines use only top quality world class components and are built with unparalleled workmanship in Switzerland. **DECO TECH** is the exclusive North American distributor for microPrint and all microPrint machines are backed with a limited **3 YEAR FACTORY WARRANTY**.

MACHINE SPECS

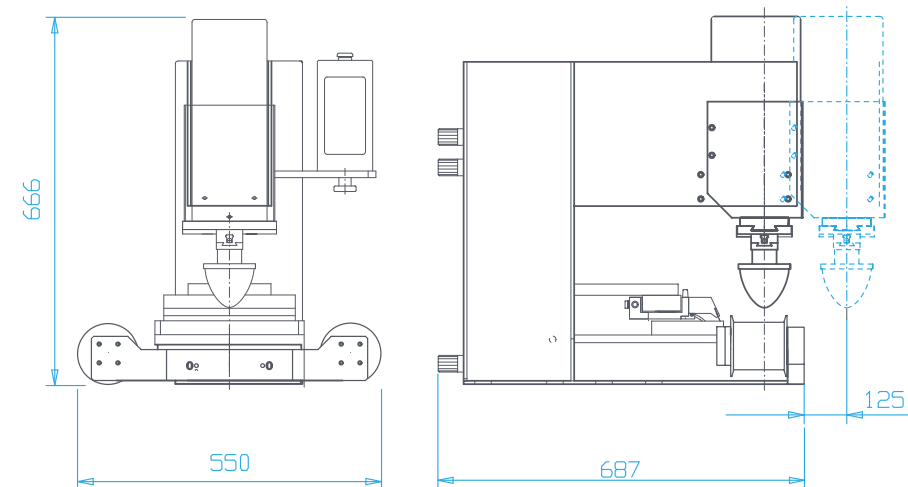
Printing capacity:	Up to 2,000/hr
Drive:	Pneumatic
Printing force:	420 N Max
Air requirements:	5-6 bar (87 psi)
Air consumption:	2 cfm @ 80 psi
Control system:	PLC 24V
Main voltage:	110 - 240 V 50-60Hz
Control voltage:	24 VDC
Weight:	65 kg (135 lbs)
Weight with Stand:	135 kg (298 lbs)
Origin:	Switzerland

PRINT SPECS

Plate sizes with ink cup:	130 x 250mm
Plate size with inkwell:	130 x 120mm
Plate thickness:	0.5 or 10mm
Ink cup sizes (diameter):	Print sizes (diameter):
2 x 56mm (2.20")	2 x 50mm (1.96")
1 x 70mm (2.75")	1 x 60mm (2.36")
1 x 86mm (3.38")	1 x 76mm (2.99")
1 x 120mm (4.72")	1 x 110mm (4.33")

*Specifications are subject to change without prior notification

DIMENSIONS



MS-130 shown in table top configuration



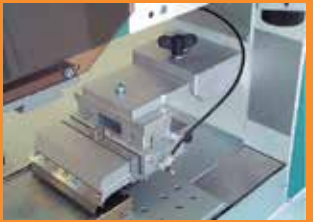
Easy to operate touch screen controls



X/Y/R plate adjustment & quick change ink cup



X/Y/R plate adjustment & quick change ink cup



Check out our complete line of pad printing supplies including Printcolor brand inks.

© Deco Technology Group, Inc. All rights reserved.

DECO TECHNOLOGY GROUP, INC.
 1040 SEGOVIA CIR
 PLACENTIA, CA 92870
 (800) 300-DECO
 (714) 639-3326
 (714) 639-2261
 DECOTECHGROUP.COM

