

ML-500

MULTI-COLOR LINEAR MOTOR PAD PRINTING WORKSTATION



Shown with optional
linear motor driven
pad shift device &
safety cell enclosure

- CNC Programmable printing system for X/Y/Z axis'
- Touch Screen controls with job memory storage
- Quick change magnetic ink cups with X/Y positioning
- Fully automatic tape pad cleaning device (optional)
- Fully automatic ink viscosity control (optional)
- Swiss built with world class components

ML-500

MULTI-COLOR LINEAR MOTOR PAD PRINTING WORKSTATION

The **ML-500** pad printer from **microPrint** is a programmable multi-color pad printing workstation that features "hybrid" drive controls with linear motor and pneumatic controls. The **ML-500** comes with a fully integrated tape pad cleaning system and automatic ink viscosity control system (optional). The **ML-500** can be outfitted with a servo part shuttle or a linear motor controlled pad shift device for precise printing results. We also offer multi access ROBOT systems for full part movements (rotation, pivot, tilt etc). All **microPrint** machines use only top quality world class components and are built with unparalleled workmanship in Switzerland. **DECO TECH** is the exclusive North American distributor for microPrint and all microPrint machines are backed with a limited **3 YEAR FACTORY WARRANTY**.

MACHINE SPECS

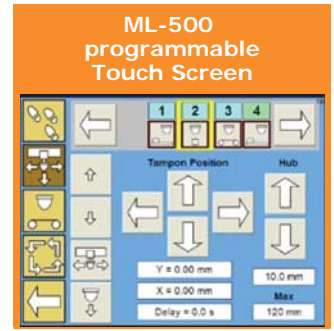
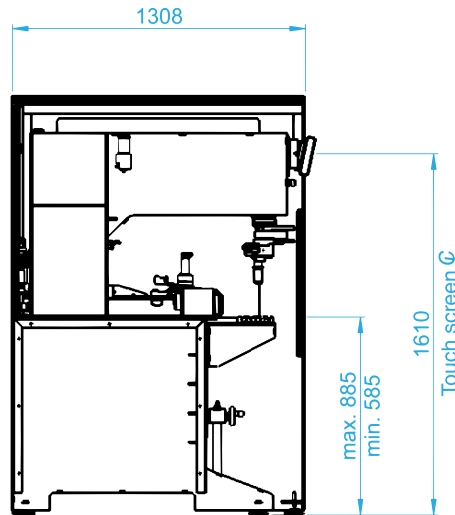
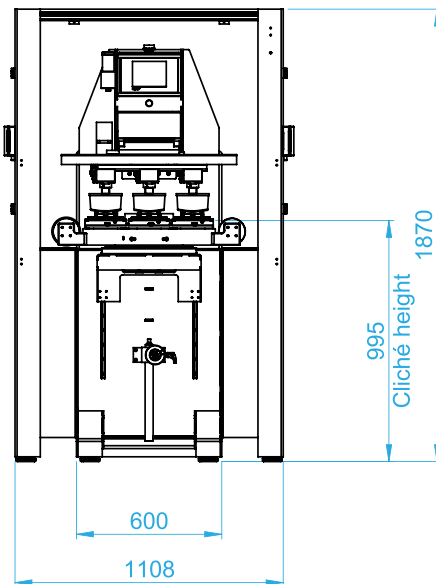
Printing capacity:	Up to 1,200/hr
Drive:	Linear motor & Pneumatic
Printing force:	3,000 N Max
Air requirements:	5-6 bar (87 psi)
Air consumption:	3 cfm @ 80psi
Control system:	PLC 24V
Main voltage:	230V 3 phase 50-60Hz
Control voltage:	24 VDC
Weight print head:	260 kg (573 lbs)
Weight with safety cell:	750 kg (1,654 lbs)
Origin:	Switzerland

PRINT SPECS

Plate sizes with ink cup:	420 x 250mm 360 x 250mm 260 x 250mm
Plate size with inkwell:	500 x 150mm
Plate thickness:	0.5 or 10mm
Ink cup sizes (diameter):	Print sizes (diameter):
8 x 56mm (2.20")	8 x 50mm (1.96")
6 x 70mm (2.75")	6 x 60mm (2.36")
5 x 86mm (3.38")	5 x 76mm (2.99")
4 x 120mm (4.72")	4 x 110mm (4.33")
3 x 140mm (5.51")	3 x 130mm (5.11")

*Specifications are subject to change without prior notification

DIMENSIONS



ML-500 closed Ink cup system



Multiple images can be picked up individually



(08-19-22)

printcolor

Check out our complete line of pad printing supplies including Printcolor brand inks.

© Deco Technology Group, Inc. All rights reserved.

DECO TECHNOLOGY GROUP, INC.

1040 SEGOVIA CIR

PLACENTIA, CA 92870

(800) 300-DECO

(714) 639-3326

(714) 639-2261

DECOTECHGROUP.COM

DECO TECH
Industrial Printing Solutions