

# LCN-133

SWISS PRECISION ENGINEERED 1 TO 3 COLOR PAD PRINTER



- Touch screen control with LCD display
- Automatic pad cleaning device
- Automatic ink viscosity control (optional)
- One, two or three color printing
- Quick change magnetic ink cup
- Single post design for automation integration
- Swiss built with world class components

# LCN-133

## SWISS PRECISION ENGINEERED 1 TO 3 COLOR PAD PRINTER

microPrint's model **LCN-133** was specially designed as a 1, 2 or 3 color pad printer and it's based upon the LC Series machines (LCN-131 and LCN-151). The **LCN-133** is a reliable and robust pad printing machine that has been fine-tuned for performance. This machine is simple to operate with it's front mounted touch screen controls and it works well as a stand-alone printer or is easily integrated into an automated system. **DECO TECH** is the exclusive North American distributor for microPrint and all microPrint machines are backed with a limited **3 YEAR FACTORY WARRANTY**.

### MACHINE SPECS

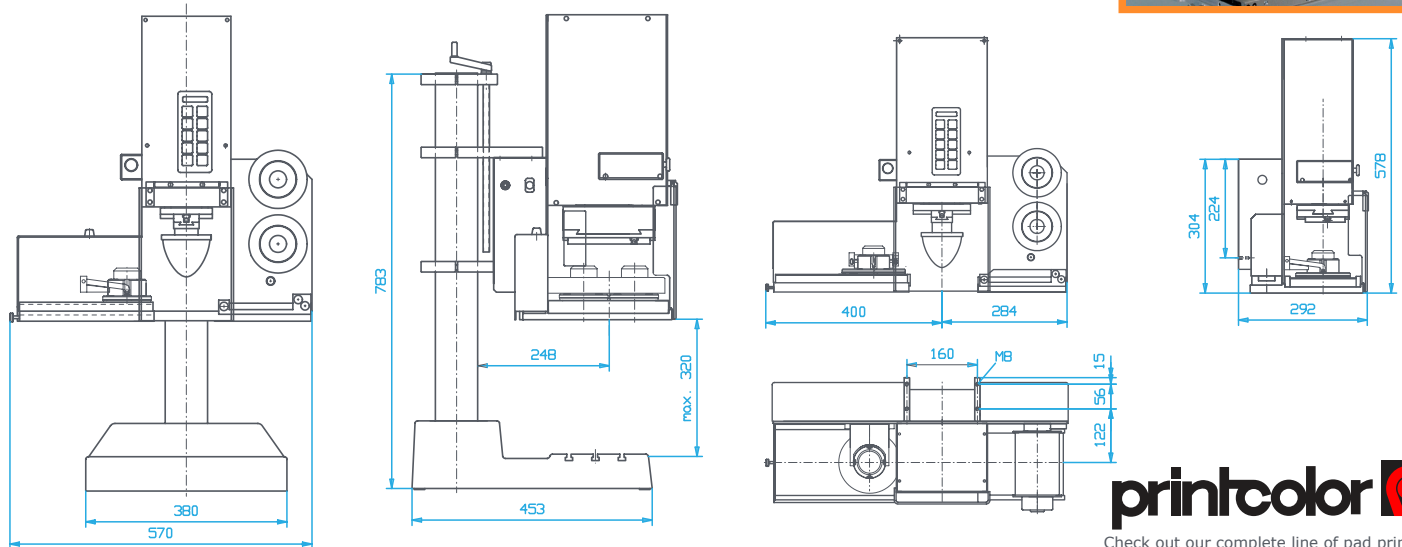
<b>Printing capacity:</b>	Up to 1,800/hr
<b>Drive:</b>	Pneumatic
<b>Printing force:</b>	1,100 N Max
<b>Air requirements:</b>	5-6 bar (87 psi)
<b>Air consumption:</b>	2.3 L/cycle
<b>Control system:</b>	PLC 24V
<b>Main voltage:</b>	110 - 240 V 50-60Hz
<b>Control voltage:</b>	24 VDC
<b>Weight:</b>	42 kg (92.6 lbs)
<b>Weight with Stand:</b>	62 kg (136.7 lbs)
<b>Origin:</b>	Switzerland

### PRINT SPECS

<b>Plate sizes with ink cup:</b>	200 x 300mm
<b>Plate size with inkwell:</b>	Special Order Only
<b>Plate thickness:</b>	0.5 or 10mm
<b>Ink cup sizes (diameter):</b>	<b>Print sizes (diameter):</b>
3 x 56mm (2.20")	3 x 50mm (1.96")
2 x 86mm (3.38")	2 x 76mm (2.99")
1 x 120mm (4.72")	2 x 110mm (4.33")

\*Specifications are subject to change without prior notification

### DIMENSIONS



LCN-133 with auto tape pad cleaning device



LCN-133 shown with X/Y/R cliché holder



**printcolor**   
Check out our complete line of pad printing supplies including Printcolor brand inks.

© Deco Technology Group, Inc. All rights reserved.

**DECO TECHNOLOGY GROUP, INC.**

1040 SEGOVIA CIR

PLACENTIA, CA 92870

(714) 639-DECO

(714) 639-3326

(714) 639-2261

**DECOTECHGROUP.COM**

